



ACO Packaging Ltd

SUPPLIERS OF NEW & USED BOTTLING MACHINERY FOR OVER 40 YEARS

14, Crane Mead Business Park, Ware, Herts, SG12 9PZ, England
Tel: 01920 484050 Fax: 01920 484050 E-mail: info@acosales.co.uk Web site: www.acosales.co.uk

MECHANICAL CAP ELEVATOR

Machine for loading plastic caps into a cap sorter.

COMPONENTS:

- Standing base with 4 supports
- Product feed hopper (capacity 200 lt)
- Feed hopper in stainless steel cover equipped with a plexiglass window
- Conveyor belt made of PVC (food approved) equipped with pick up flights
- Transparent Lexan protection against dust on the outer side of the belt
- Motoreducer direct on the shaft

TECHNICAL DATA

Frame: stainless steel AISI 304

(A) Total height: standard 3802 mm

(B) Height from ground to feed: standard 2950 mm

Belt width: 140 mm

Flight distance : 130 mm

Production: up to 25.000 caps/hour (depending on the cap dimensions)

Motoreducer: 0.37 Kw - 400 V - 50/60 Hz

All prices are in GB Pounds Sterling and are supplied ex-VAT and ex-Works unless otherwise stated. The goods hereby supplied shall remain the property of the seller until such time as payment for the product has been made in full. Any discrepancies to be made in writing within 7 days of receipt. All goods are supplied against our standard terms and conditions which are available on request.

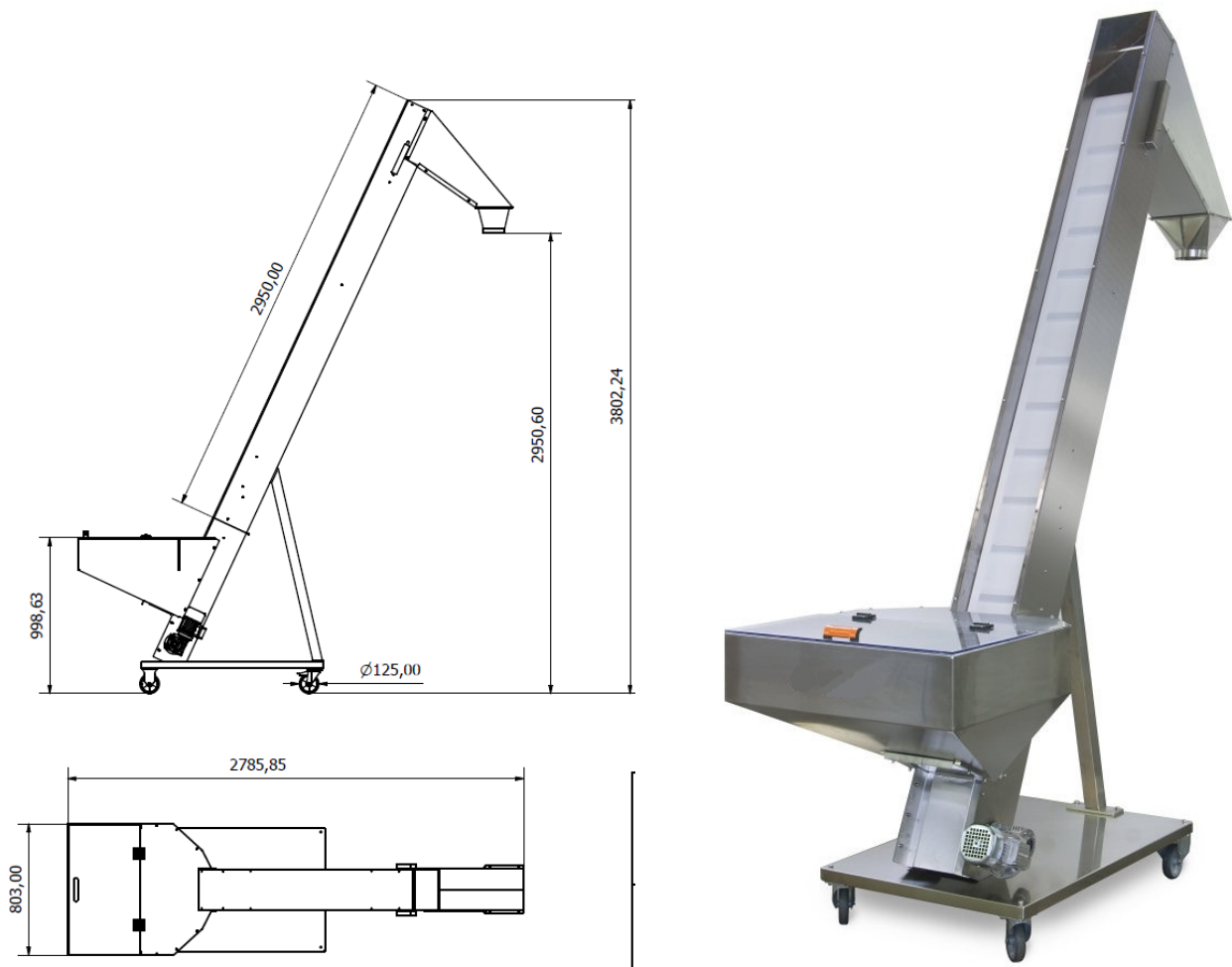
E & O.E. Company Reg. GB996055 VAT Reg. No. 801981926



ACO Packaging Ltd

SUPPLIERS OF NEW & USED BOTTLING MACHINERY FOR OVER 40 YEARS

14, Crane Mead Business Park, Ware, Herts, SG12 9PZ, England
Tel: 01920 484050 Fax: 01920 484050 E-mail: info@acosales.co.uk Web site: www.acosales.co.uk



All prices are in GB Pounds Sterling and are supplied ex-VAT and ex-Works unless otherwise stated. The goods hereby supplied shall remain the property of the seller until such time as payment for the product has been made in full. Any discrepancies to be made in writing within 7 days of receipt. All goods are supplied against our standard terms and conditions which are available on request.

E & O.E. Company Reg. GB996055 VAT Reg. No. 801981926